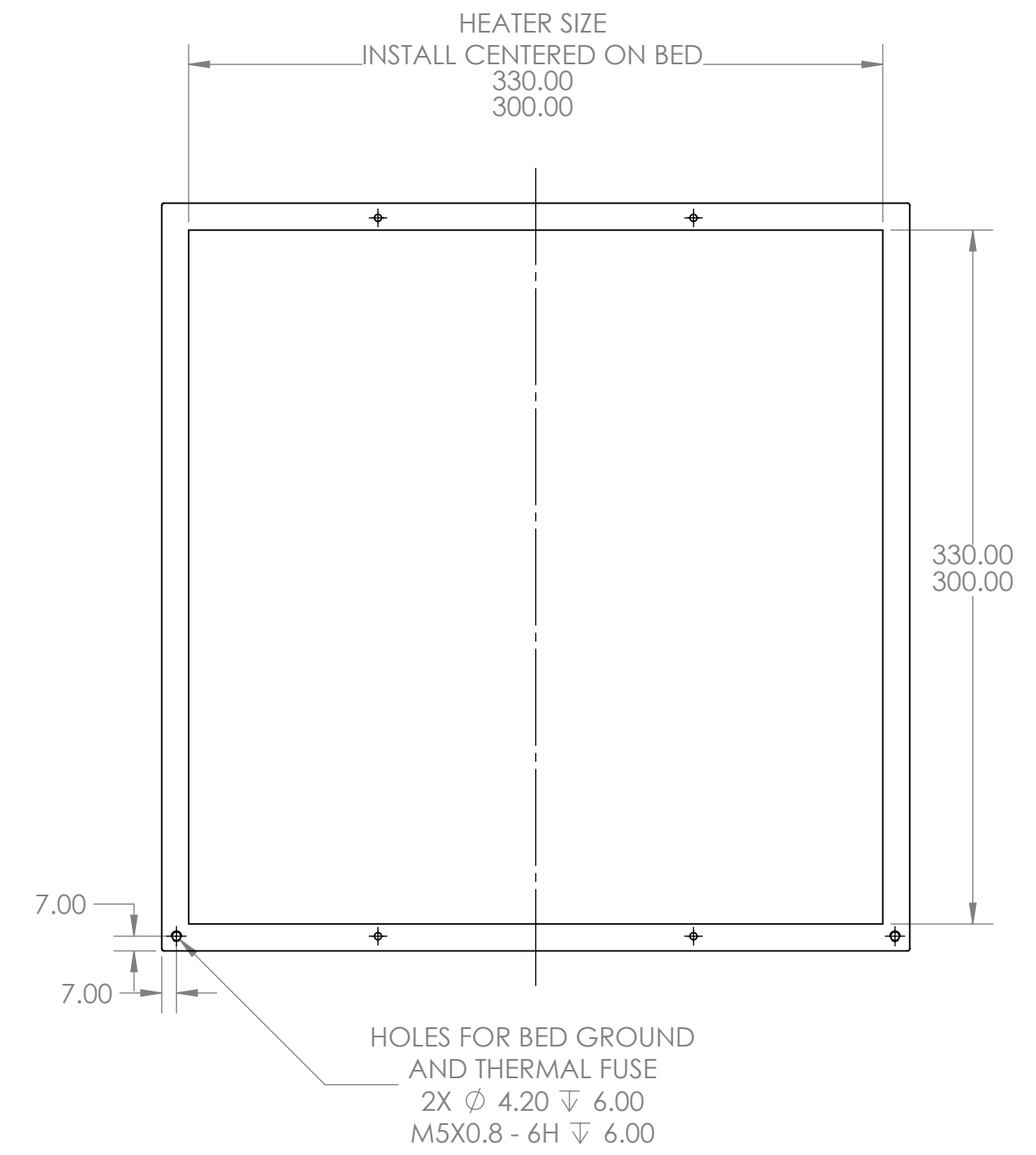
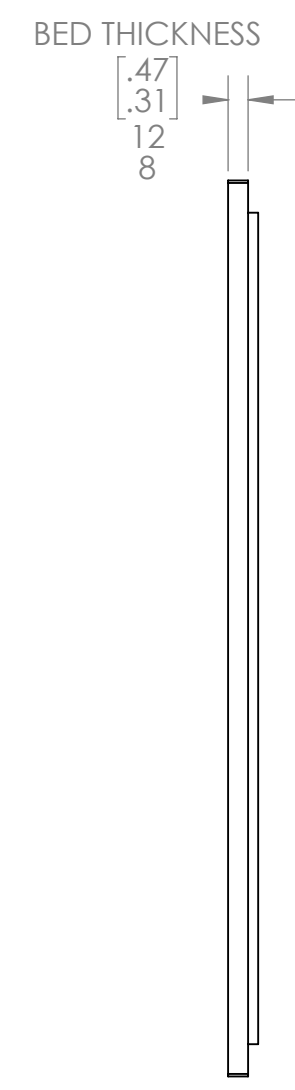
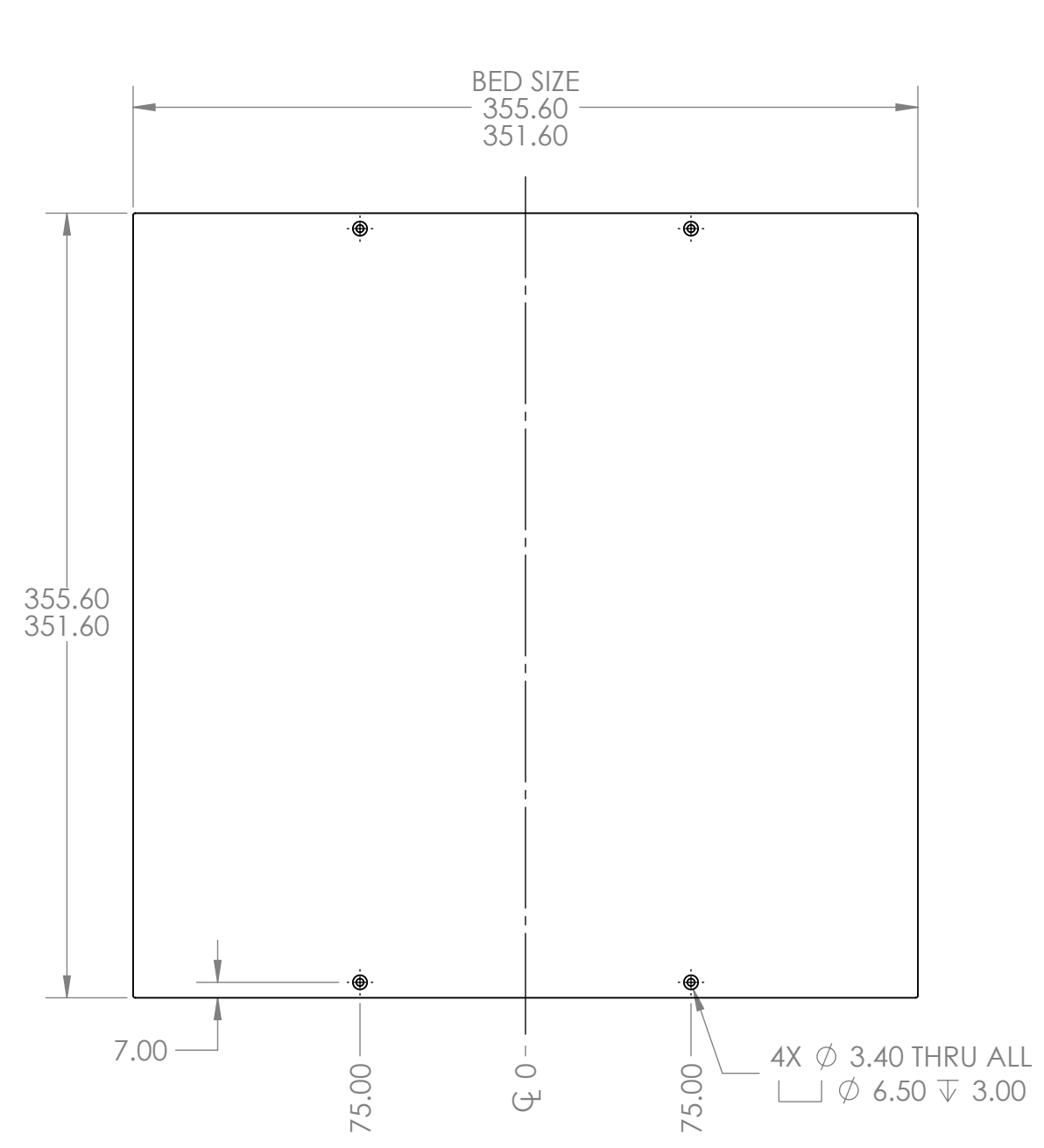


Notes:

- 1. All dimensions in mm, unless noted
- 2. tolerances are +/- 0.5mm unless noted
- 3. **Material: MIC6/ATP5 or equivalent**



VORON2 - 350mm Bed
Scale: 1:3

Author: Volcom Rev:1 Date: August 8th 2019