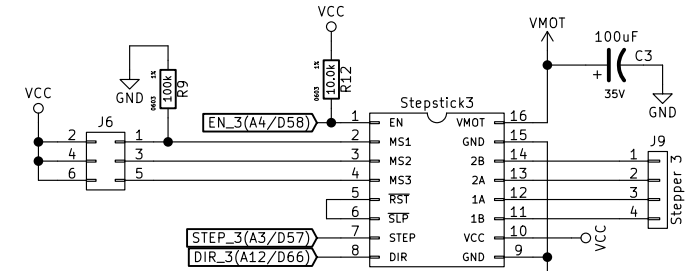
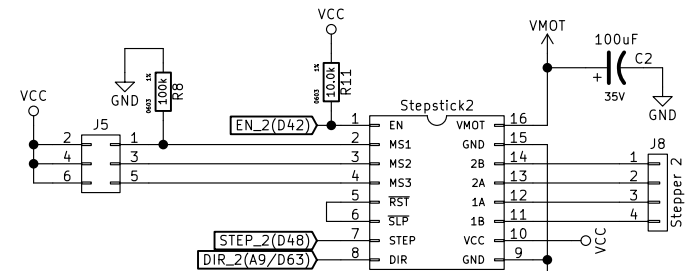
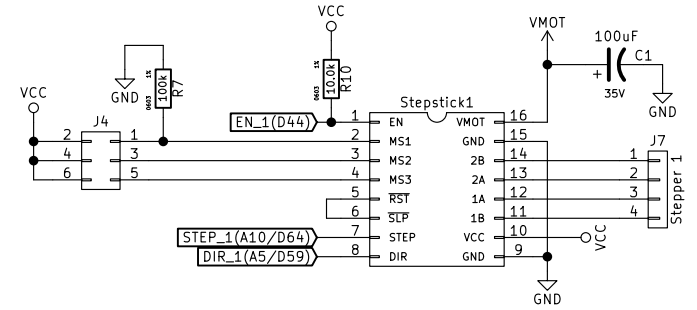
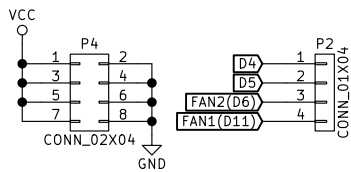
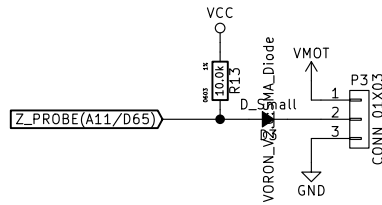
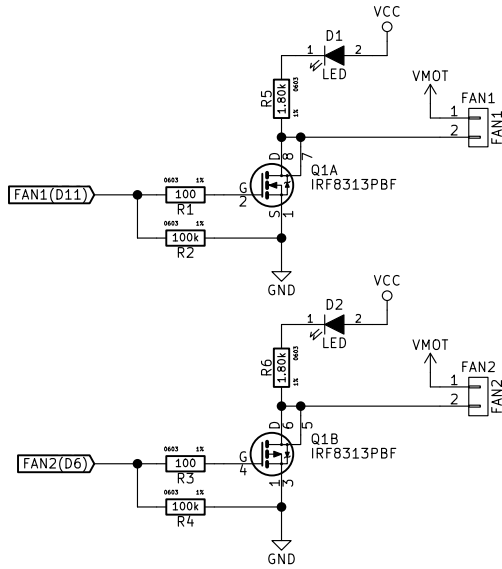
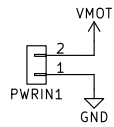


VORON_V2.0:PIN_HEADER_TOP_2X12



TheOTHERbrakshow

TheBrakStore

Sheet: /

File: VORON_V2.0_Expander.sch

Title: VORON V2.0 Expander

Size: A4 Date: 2017-09-08

KiCad E.D.A. kicad 4.0.2-stable

Rev: A

Id: 1/1